



Camera Hub G2H

Specifications

Lumi United Technology Co., Ltd.

all rights reserved

Contents

1. Product introduction	4
1.1. Product overview	4
1.2. Three views	4
1.3. Selling points	4
2. Product parameters	5
2.1. Product parameters	5
2.2. Electrical parameters	6
2.3. Wireless parameters	6
2.4. Environmental parameters	6
3. Product instructions	7
3.1. LED status description	7
3.2. Instructions on button functions	7
3.3. Instructions for installation	8
3.4. Usage Instructions	8
4. Product test information	10
4.1. Reliability test and quality test	10
4.2. Verification information	11

Revision record

Revision	Revision Content	Revised by	Revised on
V1.0	1.Initial release	Donie	2020-7-10

1. Product introduction

1.1. Product overview

Aqara Camera Hub G2H is an intelligent hardware product that integrates dual functions of camera and hub. It has functions such as video intercom, motion detection, sound detection, and Micro SD card recording. It can also be used as a Zigbee hub in collaboration with other sensors, controllers and other sub-devices to realize the functions such as home guard, data reporting and smart control. It can support to connect to Apple HomeKit platform, and realize remote control through the Apple "Home" app.

* This product is designed for indoor use only. Do NOT use in humid environments or outdoors.

1.2. Three views



1.3. Selling points

Video surveillance: With WiFi connection, it can make remote video call via app, support motion detection, sound detection, micro SD card recording, leaving video message;

Hub function: As a Zigbee hub, it can in collaboration with other sensors, controllers and other sub-devices to realize the functions such as home guard, data reporting and smart control.

HomeKit platform connection: When connected to Apple HomeKit platform, it can realize remote control through the Apple "Home" app.

2. Product parameters

2.1. Product parameters

Category	Description
Brand	Aqara
Name	Camera Hub G2H
Model	CH-H01
Video pixels	1080P
Size	82.4×56.5×50.5mm
Color	White
Material	PC
Power adapter	USB power adapter
Gross weight	261g
Net weight	112g

2.2. Electrical parameters

Category	Description
Input voltage	DC5V
Input current	1A
Power	5W(Max)

2.3. Wireless parameters

Category	Description
Wireless connection	Zigbee 3.0
	2.4 GHz WiFi
Wireless standard	IEEE 802.15.4(Zigbee)
	IEEE 802.11b/g/n(WiFi)
Communication distance	700m Outdoor(Zigbee)
	100m Outdoor (WiFi)

2.4. Environmental parameters

Category	Description
----------	-------------

Operating temperature	-10°~40°C
Storage temperature	-20° ~ +55°
Operating humidity	15% to 85%

3. Product instructions

3.1. LED status description

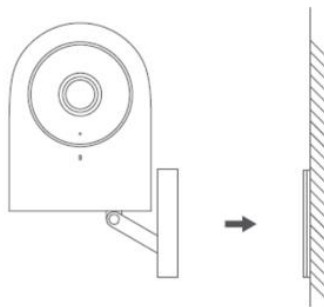
LED	Description
Blue	Connected successfully/work normally
Blue flashing	Connecting to network/ network is abnormal
Red	Starting up/ Live streaming/ recording
Red flashing	Waiting for connection
off	Sleep mode/the indicator light is off

3.2. Instructions on button functions

Button Pressing	Description
Press once	Turn off the alarm sound
Press for 3s	leave video message

press 3 times	Sub device pairing mode
press 10 times	Restore factory settings and clear sub devices

3.3. Instructions for installation



- * Please make sure the camera is added successfully, and then install it on the wall.
- * The base of the camera contains a magnet, which can be attached to the surface of ferrous material, such as refrigerator, iron door and so on.
- * Do not place it near the main unit of the computer or hard disc.
- * Please make sure the installation position within the coverage range of the Wi-Fi.
- * Do not place it near strong electromagnetic interference sources
- * Please make sure there is no obstacle around the device.
- * Can use 3M double-side tape to attach the magnet to the surface of smooth materials, such as glass, tile, latex wall and so on, and then attract the camera to the magnet.

3.4. Usage Instructions

Connect to Aqara Home

Open Aqara Home App, and click “+” on the upper corner of the homepage. Select “Smart Camera G2H” , and operate it as the App prompts. After the device is

connected successfully, the blue indicator light will be always on.

If the device failed to be added, please check the following steps:

- * Please make sure the camera is connected with the 2.4GHz Wi-Fi network;
- * Wi-Fi name or password may contain special characters. Please replace them with ordinary characters and try again;
- * The camera does not support the WAP/WAP2 Wi-Fi network;
- * The camera cannot recognize the QR code generated by the phone. Please make sure the screen of the phone is not less than 4 inches, and can not scan the QR code under back-lighting.
- * Please check whether the router turns on the Wi-Fi connection watcher function, which causes the network connection failures;
- * Please check whether the router turns on the AP isolation function, which causes the phone can not search the camera within LAN;
- * Do not connect it to a bridge network.

Connect to Apple HomeKit

Open Apple Home App, click "+" on the upper right corner, and then enter the adding accessory page. Scan or manually enter the HomeKit setup code at the bottom of the camera to bind the device to HomeKit.

Adding HomeKit failures guide:

- * "Cannot add accessories" . Due to multiple adding failures, the error information of iOS system cache cannot be removed. Please restart the iOS device and reset the camera;
- * "The accessory has been added" . After restarting the iOS device and reset the camera, you can manually enter the HomeKit setup code and add it again;

* " Can not find the accessory" . Please wait for 3 minutes after resetting the camera. You can manually enter the HomeKit setup code and add it again.

* The symbol Works with Apple HomeKit means the accessory is designed for connecting with iPod touch, iPhone or iPad and has passed MFi to meet the Apple function standard. Apple is not responsible for the product operation or the safety of it.

* HomeKit security video recording is available for up to 10 days, and the video is saved in the iCloud. You can view it in the Apple Home app of iPhone, iPad or Mac. Besides, you need 200GB of iCloud storage to support a lens and 2TB of storage to support up to 5 lenses. Video recording does not occupy iCloud storage space.

* The communication between this product and iPhone, iPad, Apple Watch, HomePod or Mac is protected by HomeKit technology.

4. Product test information

4.1. Reliability test and quality test

Name	Content	Description	Source
Camera Hub G2H	Drop test	800mm	Tested by third party
	High and low temperature test	-15°C~60°C	Tested by third party
	Aging	48 hours	Tested by third party
	Press times	100000 times	Tested by Aqara

	Shell material	RoHS report	Provided by the supplier
	EMC test	±8KV air discharge ±4KV contact discharge	Tested by third party

4.2. Verification information

Category	Description
Verification information	FCC ID: 2AKIT-G2H IC: 22635-G2H EAC, CE, RoHS